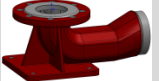


■ DATA SHEET MONITORS M2 – M7 WITH MULTI-PURPOSE NOZZLE (MPN).

■ 1. GENERAL TECHNICAL DATA.

Type series	M2	M3	M4	M5	M7	M7
Max. water flow rate	2500 l/min	4000 l/min	8000 l/min	12 000 l/min	20 000 l/min	24 000 l/min
Connecting flange (optionally)	DN65 PN16 DN80 PN16	DN80 PN16 DN100 PN16	DN100 PN16 DN150 PN16	DN150 PN16 DN200 PN16	DN200 PN16	DN200 PN16
	ASME B 16.5 150 lbs. 2 ½" ASME B 16.5 150 lbs. 3"	ASME B 16.5 150 lbs. 3" ASME B 16.5 150 lbs. 4"	ASME B 16.5 150 lbs. 4" ASME B 16.5 150 lbs. 6"	ASME B 16.5 150 lbs. 6" ASME B 16.5 150 lbs. 8"	ASME B 16.5 150 lbs. 8"	ASME B 16.5 150 lbs. 8"
Elbow (optionally) 	G4" Male thread	G4" Male thread	G5" Male thread	G5" Male thread	-	-
Max. op. pressure	16 bar					



Valid for selected product types.
See separate data sheet.



www.firedos.com

■ 2. SPECIFIC TECHNICAL DATA.

Hand lever version:

Hand lever	M2-L	M3-L	M4-L
Corresponding nozzle	MPN2	MPN4	MPN8
Swivelling range	Horizontally 360° / vertically up to +90°		
Operating temperature	-40 °C up to +80 °C		

Hand wheel version:

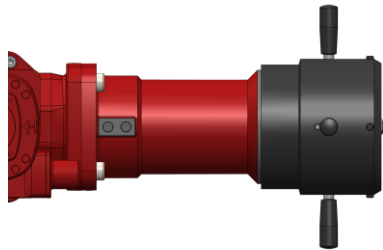
Hand wheels	M2-MO	M3-MO	M4-MO	M5-MO	M7-MO	M7-MO
Corresponding nozzle	MPN2	MPN4	MPN8	MPN12	MPN20	MPN24
Swivelling range	Horizontally 360° / vertically up to +90°					
Operating temperature	-40 °C up to +80 °C					

Also available as ATEX version with the following designation: Ex II 2G IIB c T4 / II 2D IIB c T<130°C.

3. MULTI-PURPOSE NOZZLE (MPN).

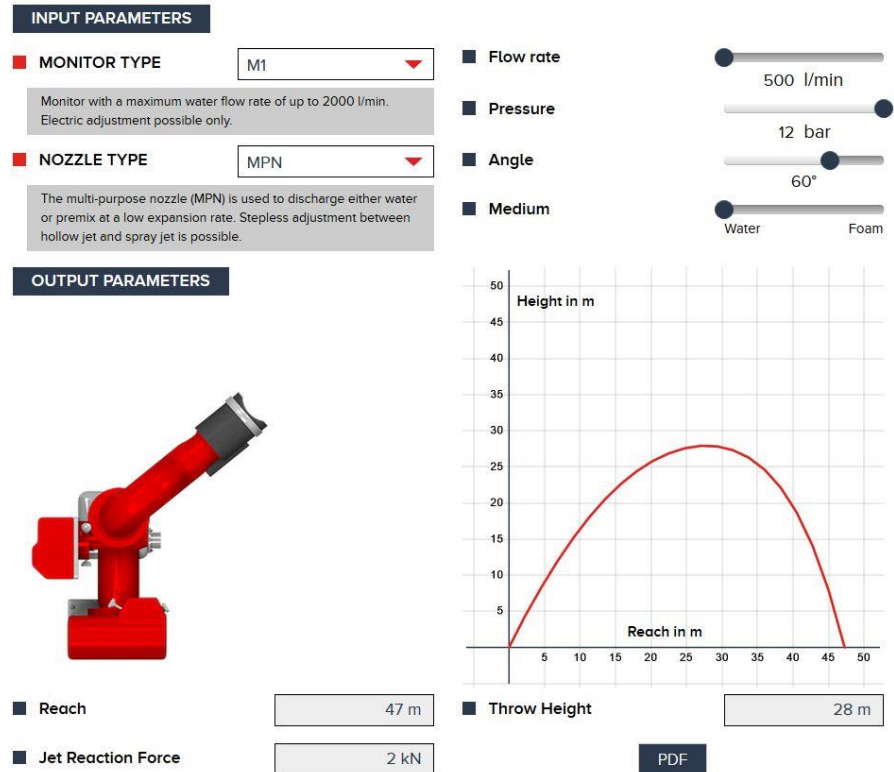
The multi-purpose nozzle (“Multi Purpose Nozzle” = MPN) is used for the discharge of water or premix at a low foam expansion rate. The manual stepless adjustment between hollow jet and spray jet is possible also during operation. The maximum spray angle is 100°.

The nozzle is factory-set to a fixed extinguishing agent flow rate in accordance with the available system pressure. If requested, this setting can be adjusted later on.

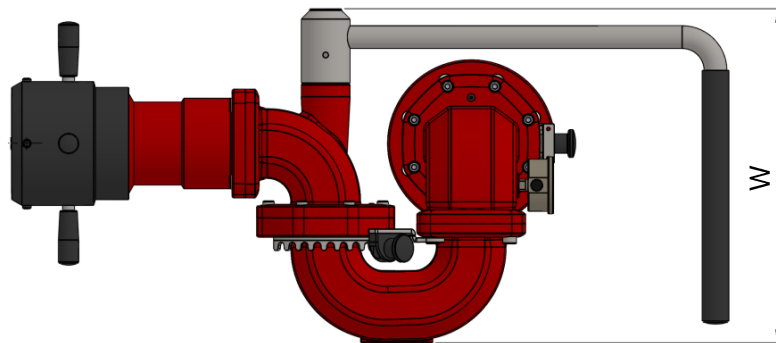
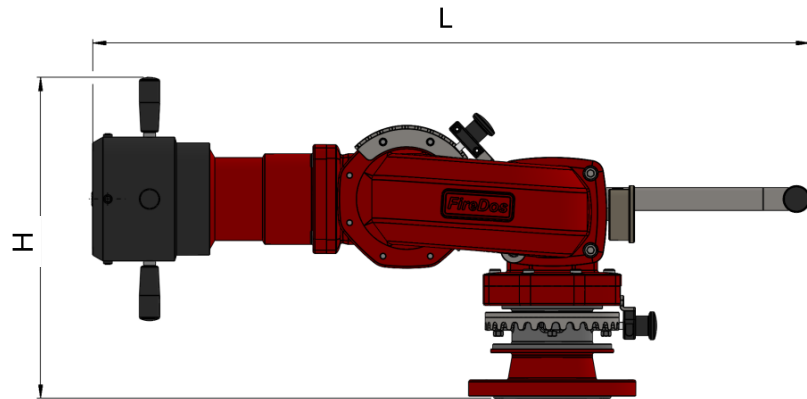


4. REACH AND REACTION FORCE.

Using the app at www.firedos.com/monitorapp, you can determine the reach curve and the reaction forces depending on your operating conditions.

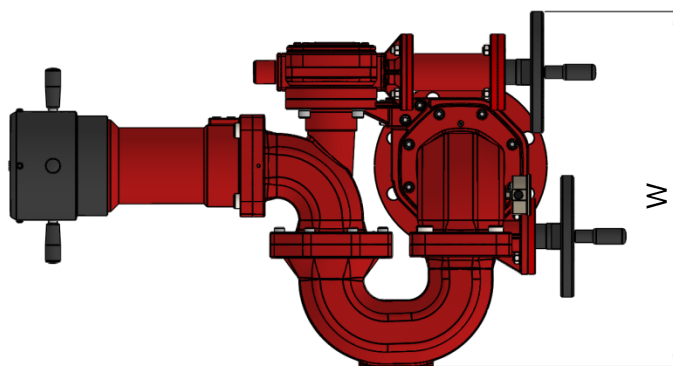
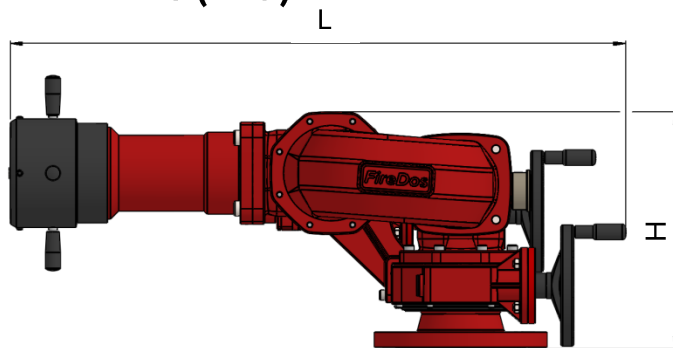


■ 5. DIMENSIONS FOR VERSION WITH HAND LEVER (-L).



	Length L	Width W	Height H	Weight
M2-L / MPN2	725 mm	380 mm	335 mm	18 kg
M3-L / MPN4	860 mm	400 mm	385 mm	30 kg
M4-L / MPN8	1320 mm	590 mm	390 mm	56 kg

■ 6. DIMENSIONS FOR VERSION WITH HAND WHEELS (-MO)



	Length L	Width W	Height H	Weight
M2-MO / MPN2	695 mm	385 mm	340 mm	22 kg
M3-MO / MPN4	780 mm	440 mm	385 mm	35 kg
M4-MO / MPN8	1020 mm	590 mm	390 mm	62 kg
M5-MO / MPN12	1240 mm	700 mm	580 mm	92 kg
M7-MO / MPN20	1590 mm	890 mm	645 mm	150 kg
M7-MO / MPN24	1690 mm	890 mm	645 mm	160 kg

■ 7. MATERIALS.

- Cast aluminium AlSi7Mg 0.3 with HC and powder coating
- AlMgSi1 with HC and powder coating
- Stainless steel V2A and V4A
- NBR
- Powder coating Red (RAL 3020) as a standard

■ 8. MANUFACTURER.

FireDos GmbH, Auf der Kaulbahn 6, 61200 Woelfersheim, Germany
Phone +49 (0) 6036 9796-0, Email: info@firedos.de

We reserve the right to make modifications at any time.
All figures are approximate and subject to the particular version/equipment.